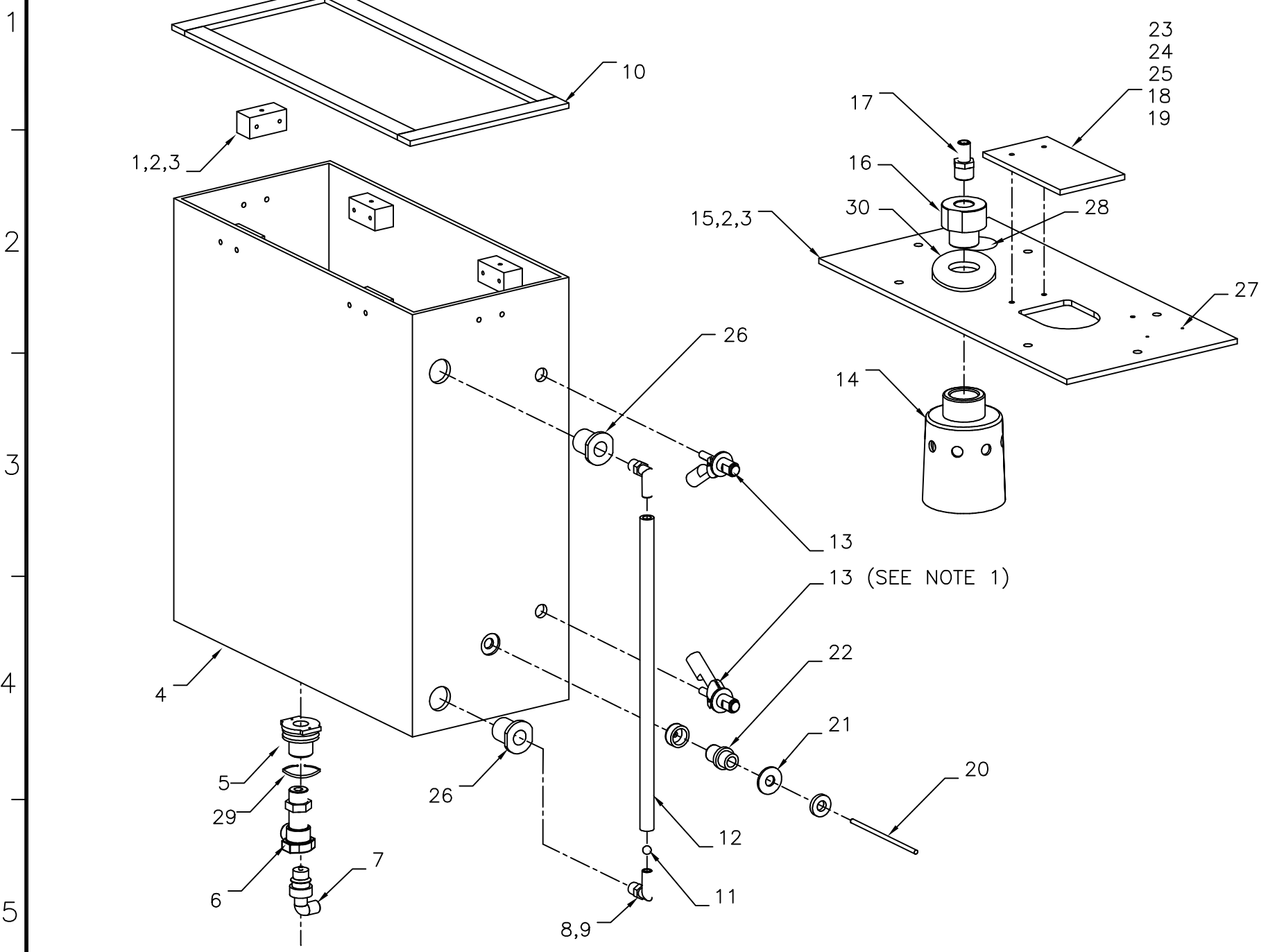


A B C D E F G H J



30	5720-0061	RING GASKET, FLANGE, 1/8" THK, BUNA-N RUBBER	1
29	5570-0378	HOSE CLAMP	1
28	5720-4017	PLASTIC PLUG FOR 1.75 DIA HOLE	1
27	5510-0014	S/S PHP SCREW #6-32, 1/2 LG	2
26	5720-9033	TANK FITTING, INCLUDES SEAL - PVC 1/2 FNPT THREADED INLET	2
25	5535-2007	S/S FLAT WASHER, #10	4
24	5510-1137	S/S SOC HD CAP SCREW, #10-32, 1.50 LG	2
23	3250-0172	HOLE BLOCK, RINSE TANK CAP	1
22	5720-0018	LIQUID TIGHT CORD GRIPS	1
21	6220-0008	RUBBER GASKET, .49 ID, 1.06 OD, .093 THICK	1
20	2700-0093	TEMPERATURE SENSOR WIRING ASSEMBLY	1
19	5535-2104	S/S HEX NUT, #10-32	2
18	5535-2004	S/S SPLIT LOCK WASHER, #10	2
17	5720-9004	FITTING ELBOW, 1/2 NPT, 1/2 HOSE ID BARB	1
16	3250-0171	ADAPTOR, WATER VALVE	1
15	3100-0018	COVER, RINSE TANK, ALUMINUM SHEET	1
14	5720-0020	WATER VALVE, SHUTOFF	1
13	4750-0366	LEVEL SENSOR	2
12	5610-0368	CLEAR PVC TUBING, 3/8 ID, 5/8 OD	14.5"
11	5720-0021	5/16 DIA. FLOATING BALL, RED COLOR SPECIAL GRAVITY: 0.90~.096 GRAM/CUBIC CM	1
10	6220-8017	SEALING TAPE, BTC. V718, GRAY 1" WIDE & 1/4" THICK, ONE-SIDED ADHESIVE	54"
9	5720-9032	TANK ADAPTER, PVC 1/2" MNPT X 3/8" HOSE POLY-E ELBOW	2
8	5570-0377	PLASTIC CLAMP FOR 5/8 OD TUBING	2
7	5720-9011	ELBOW INSERT, 1/2 HOSE BARB, SHUTOFF	1
6	5720-0022	QUICK DISCONNECT COUPLING, 1/2 NPT	1
5	5720-9031	TANK FITTING, INCLUDES SEAL - PVC 1/2 FNPT	1
4	3250-0169	RINSE TANK REWORK, 10 GALLON/37 LITER	1
3	5540-0010	NYLON FLAT WASHER, #10	18
2	5510-1043	S/S PHP SCREW, #10-32, 3/4 LG	18
1	3250-0167	TANK TAB	6
ITEM	PART NO.	DESCRIPTION	QTY

THIS DOCUMENT CONTAINS PROPRIETARY INFORMATION AND SUCH INFORMATION IS NOT TO BE DISCLOSED TO OTHERS FOR ANY PURPOSE NOR USED FOR MANUFACTURING PURPOSES WITHOUT WRITTEN PERMISSION FROM DISTEK.

DISTEK
121 NO. CENTER DR., NORTH BRUNSWICK, N.J. 08902

TITLE: RINSE_TANK_ASSY
VIP_4400

SCALE: NTS

SIZE B SHEET OF 1 REV. G

DRAWING NO. REVIEW_ONLY