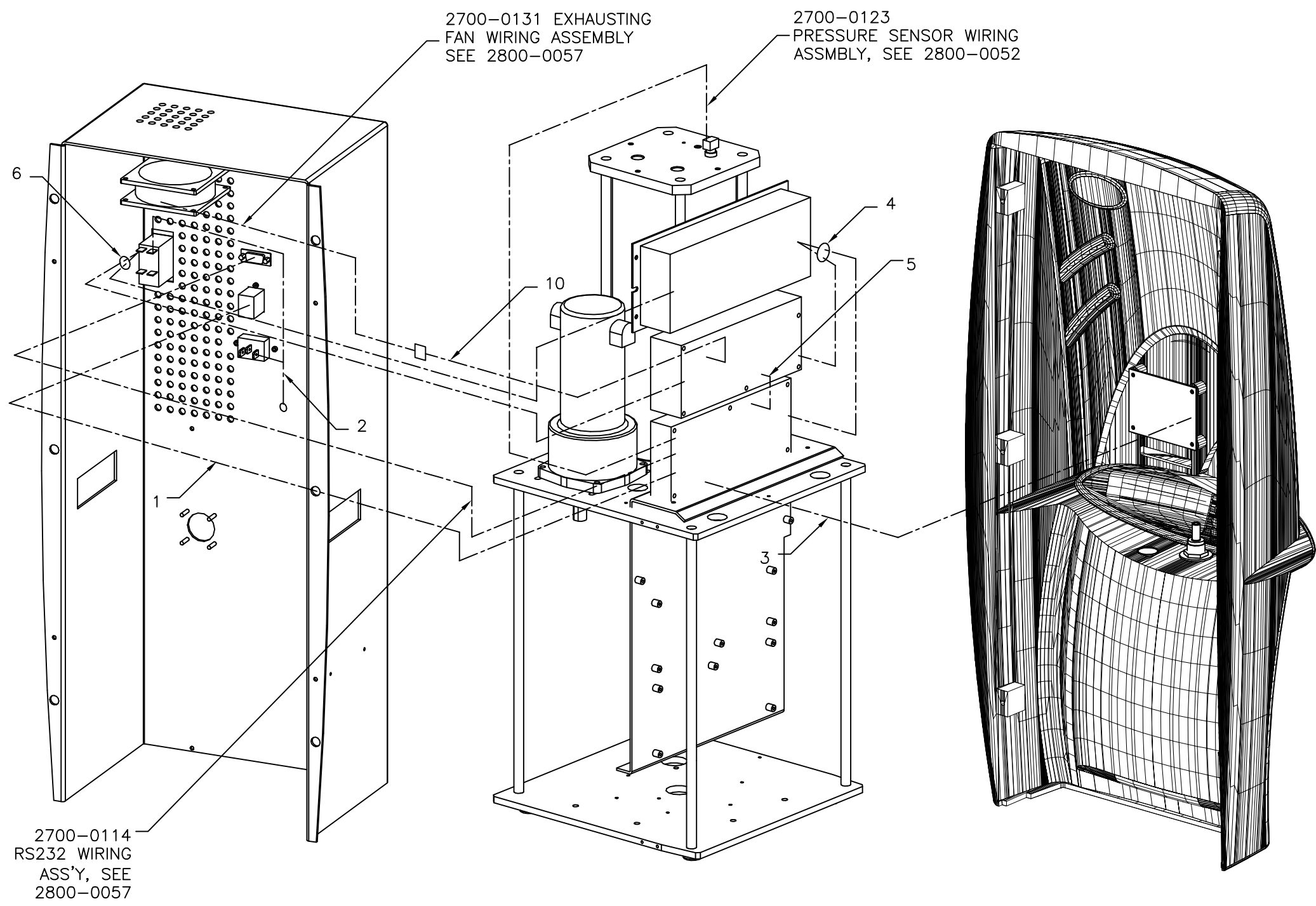


A B C D E F G H J

1
2
3
4
5



11	2700-0122	HEATER AND THERMOCOUPLE CABLE WIRING ASSEMBLY	2
10	2700-0127	EXHAUSTING FAN CABLE WIRING ASSEMBLY	1
9	2700-0121	TEMPERATURE SENSOR WIRING ASSEMBLY	2
8	2700-0118	ENCODER & LIMIT SWITCH WIRING ASSEMBLY	1
7	2700-0115	VALVE WIRING ASSEMBLY	1
6	2700-0111	AC INTERNAL WIRING ASSEMBLY	1
5	2700-0126	DRIVER BOARD INPUT WIRING ASSEMBLY	1
4	2700-0112	DC POWER SUPPLY WIRING ASSEMBLY	1
3	2700-0117	LED DISPLAY WIRING ASSEMBLY	1
2	2700-0110	AC INPUT WIRING ASSEMBLY	1
1	2400-0030	USB WIRING ASSEMBLY	1
ITEM	PART NO.	DESCRIPTION	QTY

THIS DOCUMENT CONTAINS PROPRIETARY INFORMATION AND SUCH INFORMATION IS NOT TO BE DISCLOSED TO OTHERS FOR ANY PURPOSE NOR USED FOR MANUFACTURING PURPOSES WITHOUT WRITTEN PERMISSION FROM DISTEK.

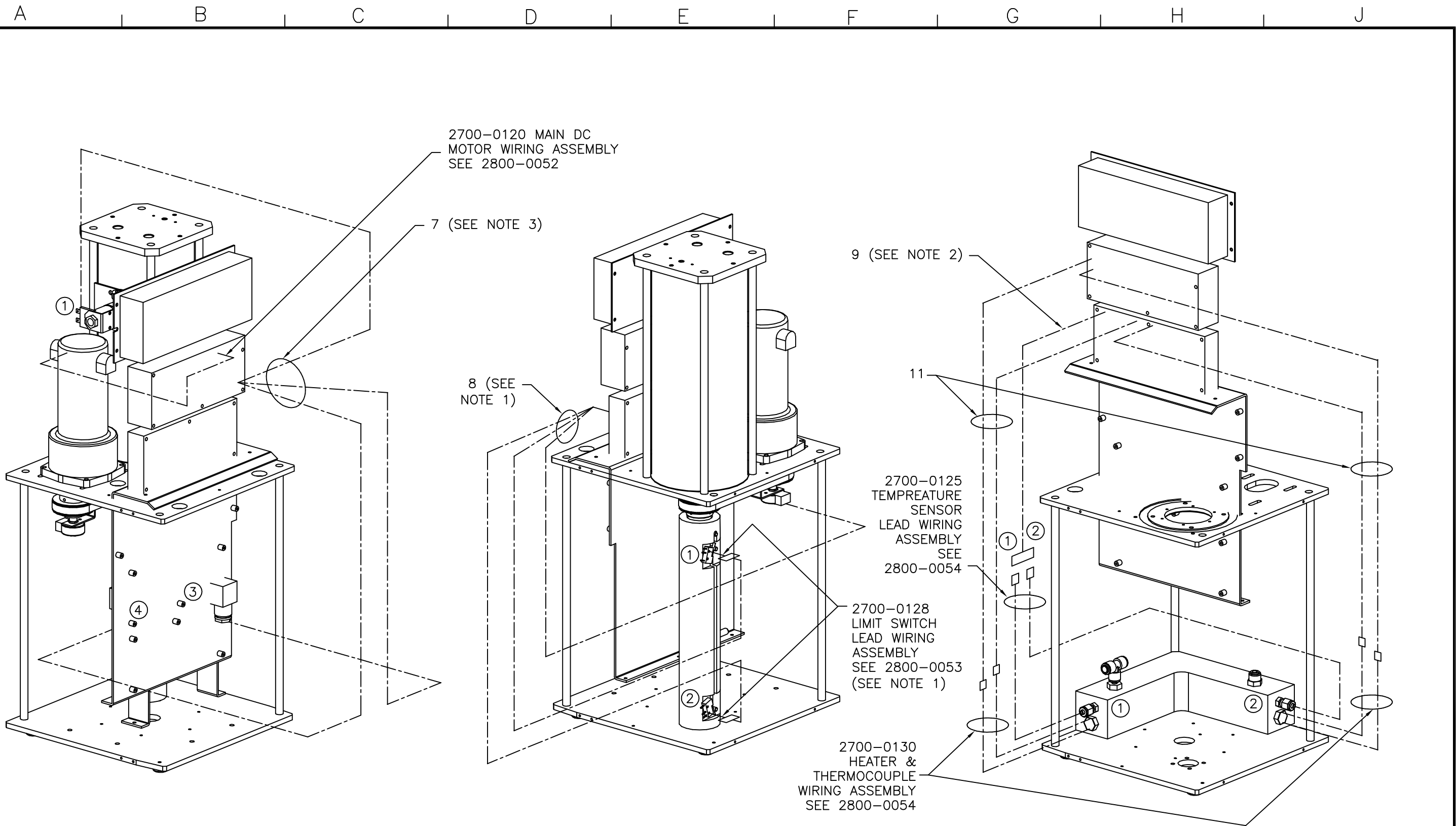
DISTEK
121 NO. CENTER DR., NORTH BRUNSWICK, N.J. 08902

TITLE: ELECTRO-MECH_ASSY
EZFILL_4500

SCALE: NTS

SIZE: B SHEET 1 OF 2 REV: C

DRAWING NO.: REVIEW_ONLY



- NOTES: 1. ITEM 8 HAS TWO CONNECTORS MARKED WITH "1" AND "2" WHICH ARE CONNECTED TO UPPER SWITCH 1 AND LOWER SWITCH 2 RESPECTIVELY AS SHOWN;
2. MARKS "1" AND "2" ON THE CONNECTOR OF ITEM 9 ARE FOR CONNECTIONS TO LEFT SENSOR 1 AND RIGHT SENSOR 2 RESPECTIVELY AS SHOWN;
3. MARKS "1", "3" & "4" ON ITEM 7 MUST MATCH VALVES MARKED WITH NUMBER 1, 3 & 4 RESPECTIVELY.

THIS DOCUMENT CONTAINS PROPRIETARY INFORMATION AND SUCH INFORMATION IS NOT TO BE DISCLOSED TO OTHERS FOR ANY PURPOSE NOR USED FOR MANUFACTURING PURPOSES WITHOUT WRITTEN PERMISSION FROM DISTEK.		DISTEK	
		121 NO. CENTER DR., NORTH BRUNSWICK, N.J. 08902	
TITLE		SCALE	NTS
ELECTRO-MECH_ASSY		SIZE	B
EZFILL_4500		SHEET	2
		OF	2
		REV.	C
DRAWING NO.		REVIEW_ONLY	