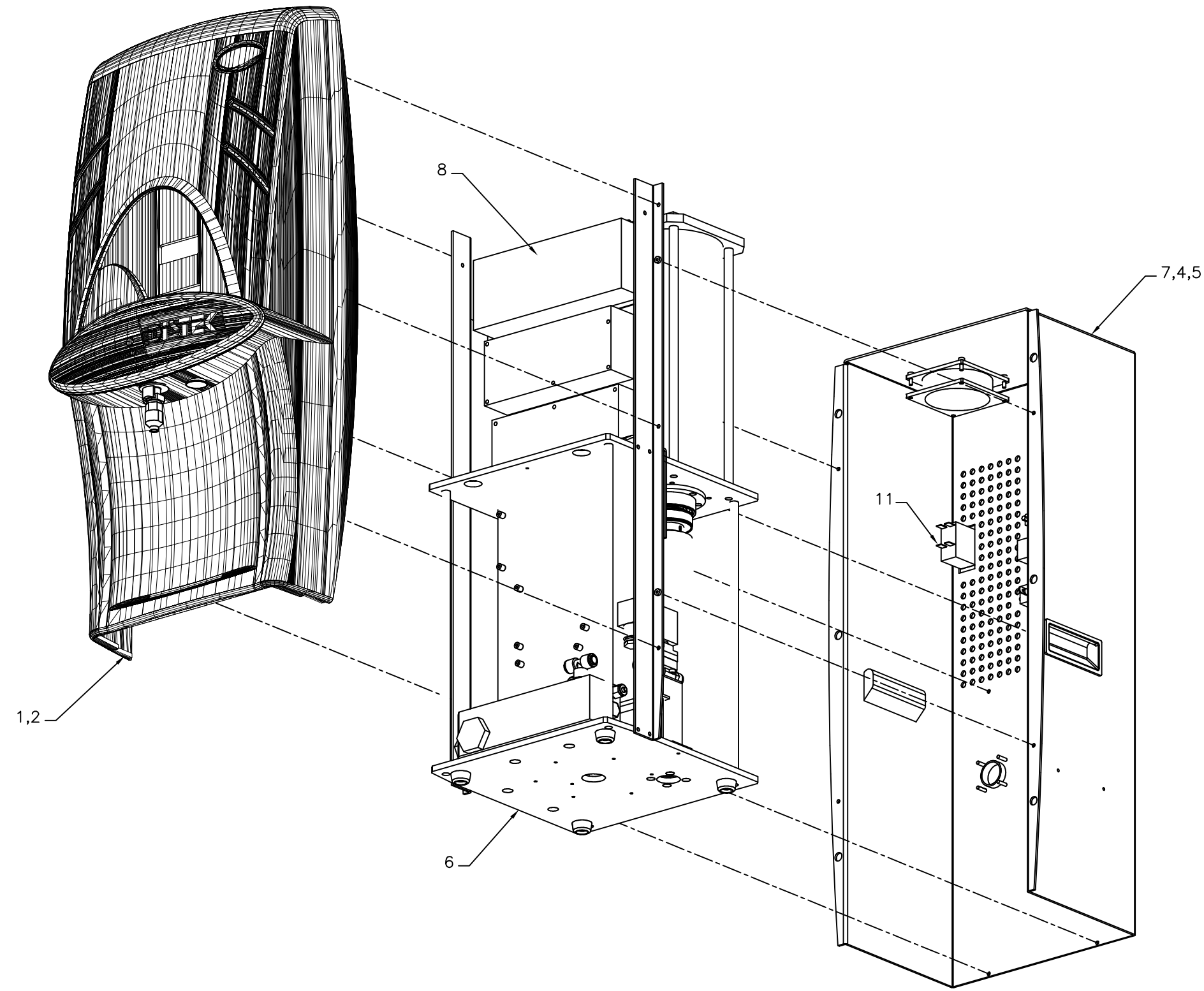


A B C D E F G H J



2022-4520 - FOR 230V INSTRUMENT			
ITEM	PART NO.	REPLACE WITH	QTY
11	4754-0003	4754-0004	--

11	4754-0003	POWER CIRCUIT BREAKER SWITCH - 110V AC - 16A	1
10	2800-0033	WASH TUBING LINE (NOT SHOWN)	1
9	2800-0059	TUBING LINE ASSEMBLY (NOT SHOWN)	1
8	2600-0039	ELECTROMECHANICAL ASSEMBLY	1
7	2800-0057	BACK COVER ASSEMBLY	1
6	2800-0052	MAIN MECHANISM ASSEMBLY	1
5	5535-2016	S/S INTERNAL STAR WASHER FOR #6	8
4	5510-1015	S/S PHP SCREW #6-32, 3/8 LG	8
3	2960-0018	LABEL ASSEMBLY (NOT SHOWN)	1
2	5510-0083	S/S FHP SCREW #6-32, 3/8 LG	6
1	2800-0058	FRONT COVER ASSEMBLY	1
ITEM	PART NO.	DESCRIPTION	QTY

THIS DOCUMENT CONTAINS PROPRIETARY INFORMATION AND SUCH INFORMATION IS NOT TO BE DISCLOSED TO OTHERS FOR ANY PURPOSE NOR USED FOR MANUFACTURING PURPOSES WITHOUT WRITTEN PERMISSION FROM DISTEK.

DISTEK
121 NO. CENTER DR., NORTH BRUNSWICK, N.J. 08902

TITLE: MAIN_ASSEMBLY
EZFILL_4500

SCALE: NTS
SIZE: B SHEET OF 1 REV. C
DRAWING NO.: REVIEW_ONLY