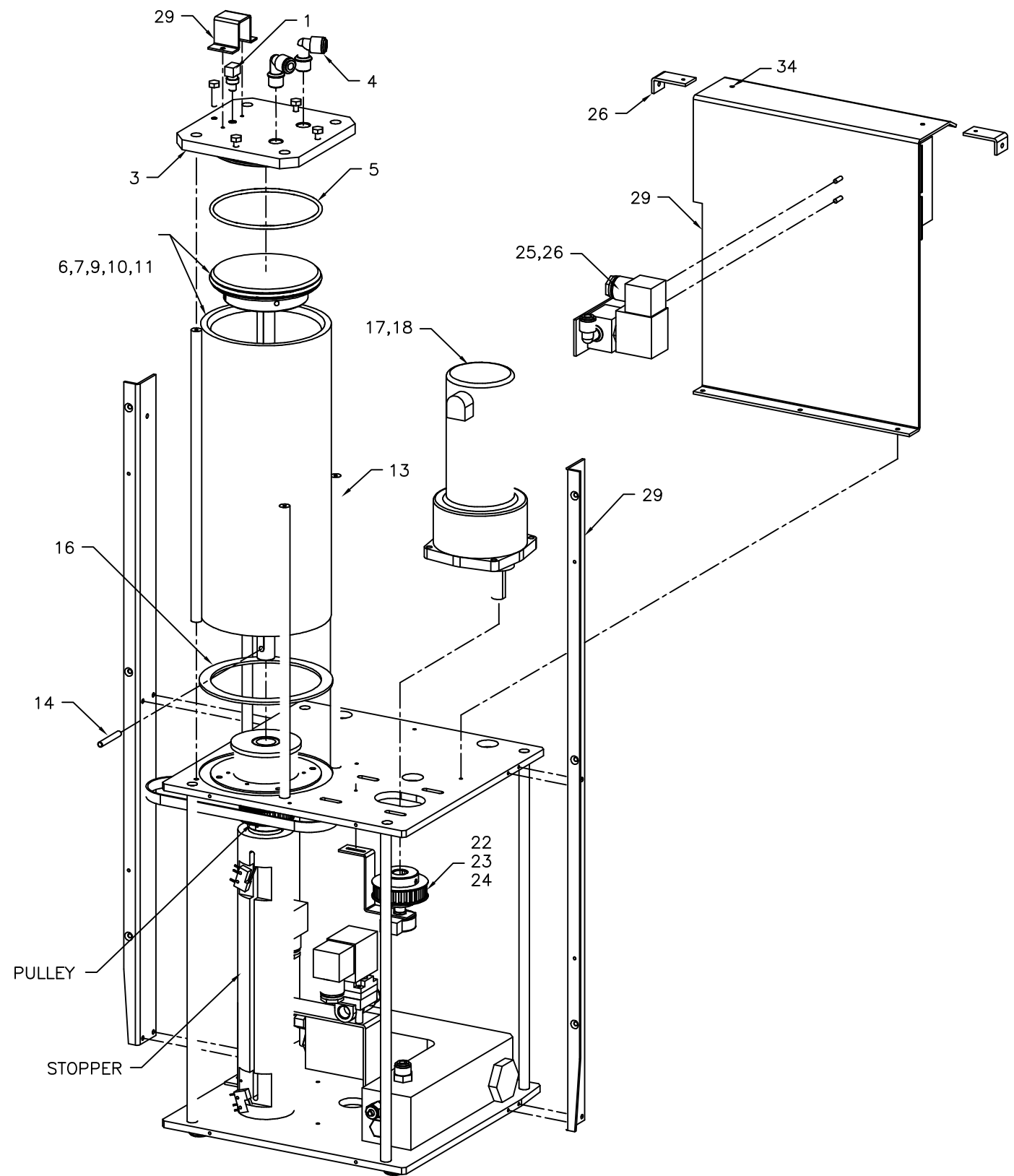
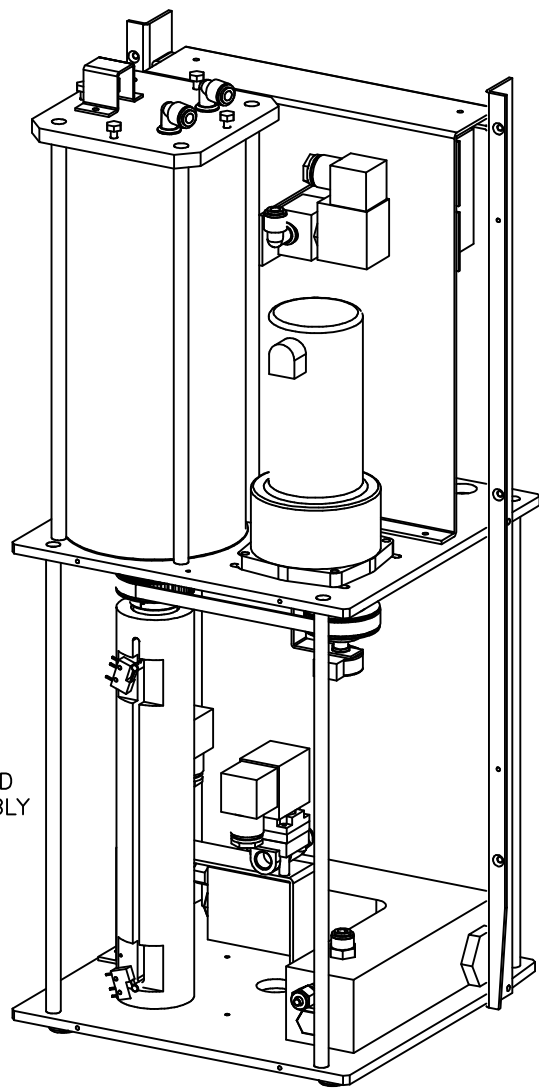


A B C D E F G H J

1
2
3
4
5



FINISHED ASSEMBLY



29	5510-1015	S/S PHP SCREW #6-32, 3/8" LG	13
26	5535-0010	S/S KEPS NUT #6-32	4
25	2800-0147	UPPER VALVE ASSEMBLY	1
24	5535-2017	S/S INTERNAL STAR WASHER #4	1
23	5510-0005	S/S PHP SCREW #4-40, 3/8 LG	1
22	2800-0146	MOTOR PULLEY ASSEMBLY	1
18	5510-1503	S/S SOC HD CAP SCW #10-32, .75 LG	4
17	2700-0120	MAIN DC MOTOR WIRING ASSEMBLY	1
16	3250-0190	RUBBER GASKET, 1/16 THICK	1
14	5580-0014	DOWEL PIN, .188 D, 1.25 LG	1
13	5510-0053	S/S FHP SCREW #8-32, .75 LG	8
11	3010-0009	GLASS CYLINDER	1
10	5570-8022	FEP-ENCAPSULATED O-RING SOLID SILICONE CORE	1
9	3200-0187	ACME SCREW LEAD, 5/8-10, .100 LD	1
7	3200-0186	PISTON ADAPTER, ALUMINUM	1
6	3250-0112	PISTON, PVC	1
5	5570-8012	VITON RUBBER O-RING, 3 5/8 ID, 3 7/8 OD	1
4	5720-0032	INSTANT ELBOW, 1/4 NPT 1/4 TUBE	2
3	3250-0114	CYLINDER CAP	1
1	2700-0123	PRESSURE SENSOR WIRING ASSEMBLY	1
ITEM	PART NO.	DESCRIPTION	QTY

THIS DOCUMENT CONTAINS PROPRIETARY INFORMATION AND SUCH INFORMATION IS NOT TO BE DISCLOSED TO OTHERS FOR ANY PURPOSE NOR USED FOR MANUFACTURING PURPOSES WITHOUT WRITTEN PERMISSION FROM DISTEK.

DISTEK
121 NO. CENTER DR., NORTH BRUNSWICK, N.J. 08902

TITLE: MAIN_MECHANISM_ASSY
EZFILL_4500

SCALE: NTS

SIZE: B SHEET OF 1 REV. 1

DRAWING NO.: REVIEW_ONLY