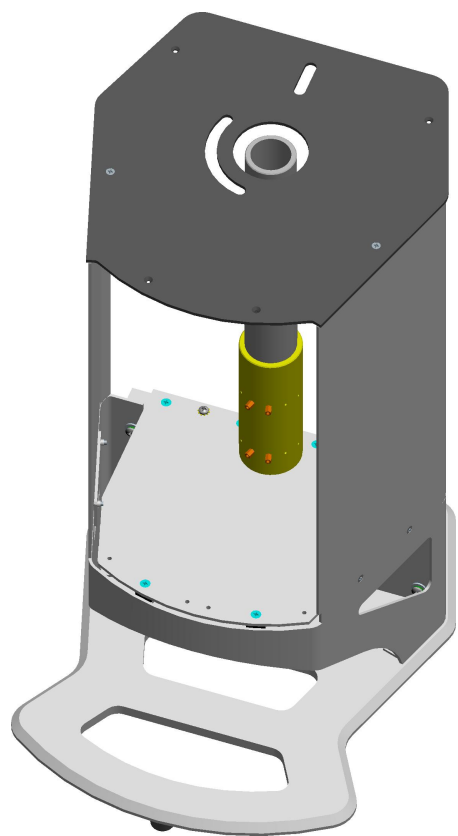
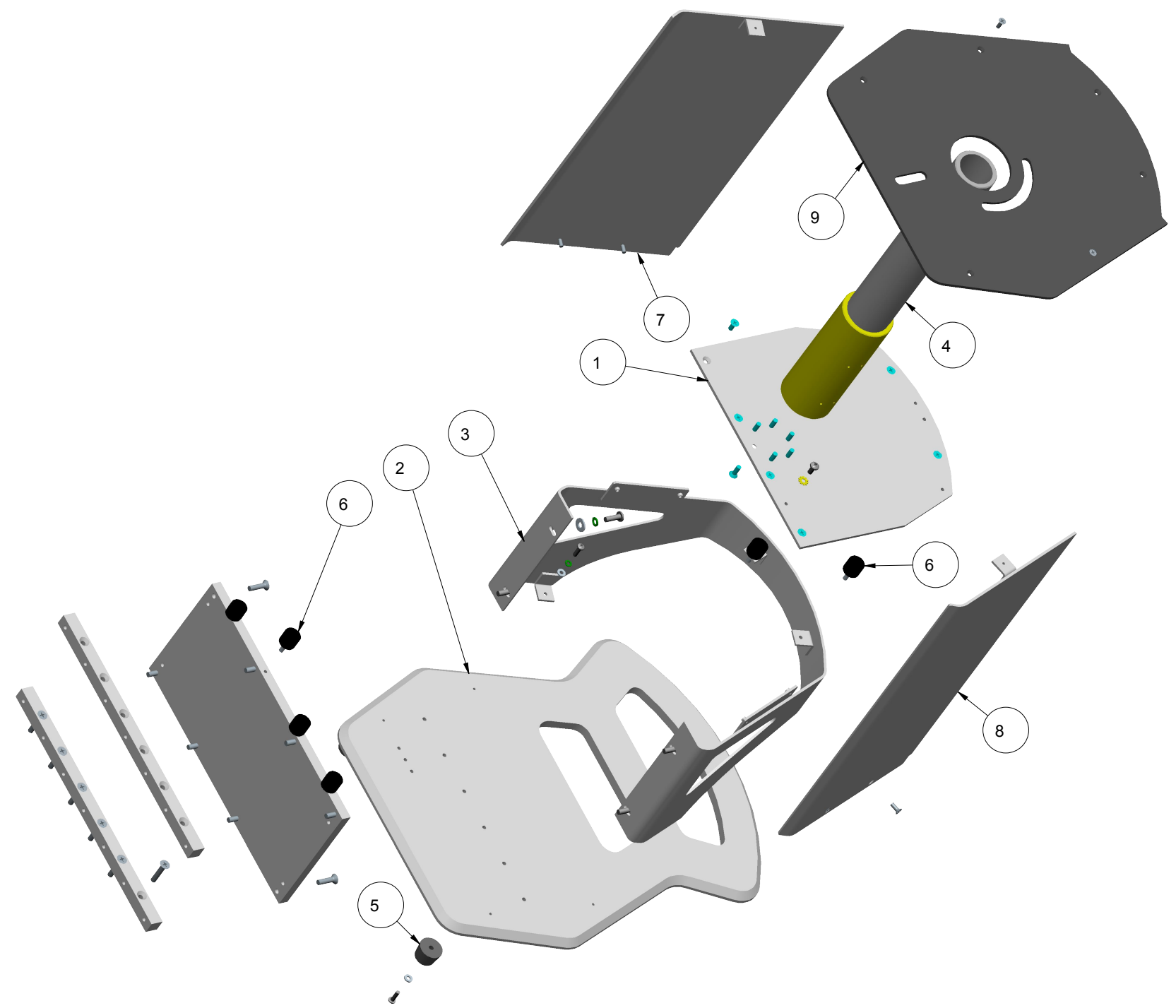


A B C D E F G H J

1  
2  
3  
4  
5



9	3250-0143	TOP COVER, 2 POS	1
8	3100-0337	SIDE PANEL, LEFT, 2 POS	1
7	3100-0336	SIDE PANEL, RIGHT, 2 POS	1
6	5555-0009	RUBBER MOUNT, #8-32	6
5	5555-0007	RUBBER FOOT WITH SCREW	5
4	2800-0452-2	CENTER PIPE ASSEMBLY	1
3	3100-0338	BASE SUPPORT, 2 POS	1
2	3200-0367	BASE PLATE, 2 POSITION	1
1	3100-0339	ADAPTER PLATE, 2 POS	1
ITEM	PART NO.	DESCRIPTION	QTY

<p>CONFIDENTIAL INFORMATION THIS DOCUMENT CONTAINS PROPRIETARY INFORMATION AND SUCH INFORMATION IS NOT TO BE DISCLOSED TO OTHERS FOR ANY PURPOSE NOR USED FOR MANUFACTURING PURPOSES WITHOUT WRITTEN PERMISSION FROM DISTEK.</p>		<p><b>DISTEK</b> 121 NO. CENTER DR. NORTH BRUNSWICK, N.J. 08902</p>	
<p>TITLE</p> <p><b>BASE ASSEMBLY, 2 POS</b></p> <p>sensIR 3200</p>		<p>SCALE <b>5/24</b></p> <p>SIZE <b>B</b> SHEET <b>11</b> OF <b>REV B</b></p> <p><b>REVIEW ONLY</b></p>	